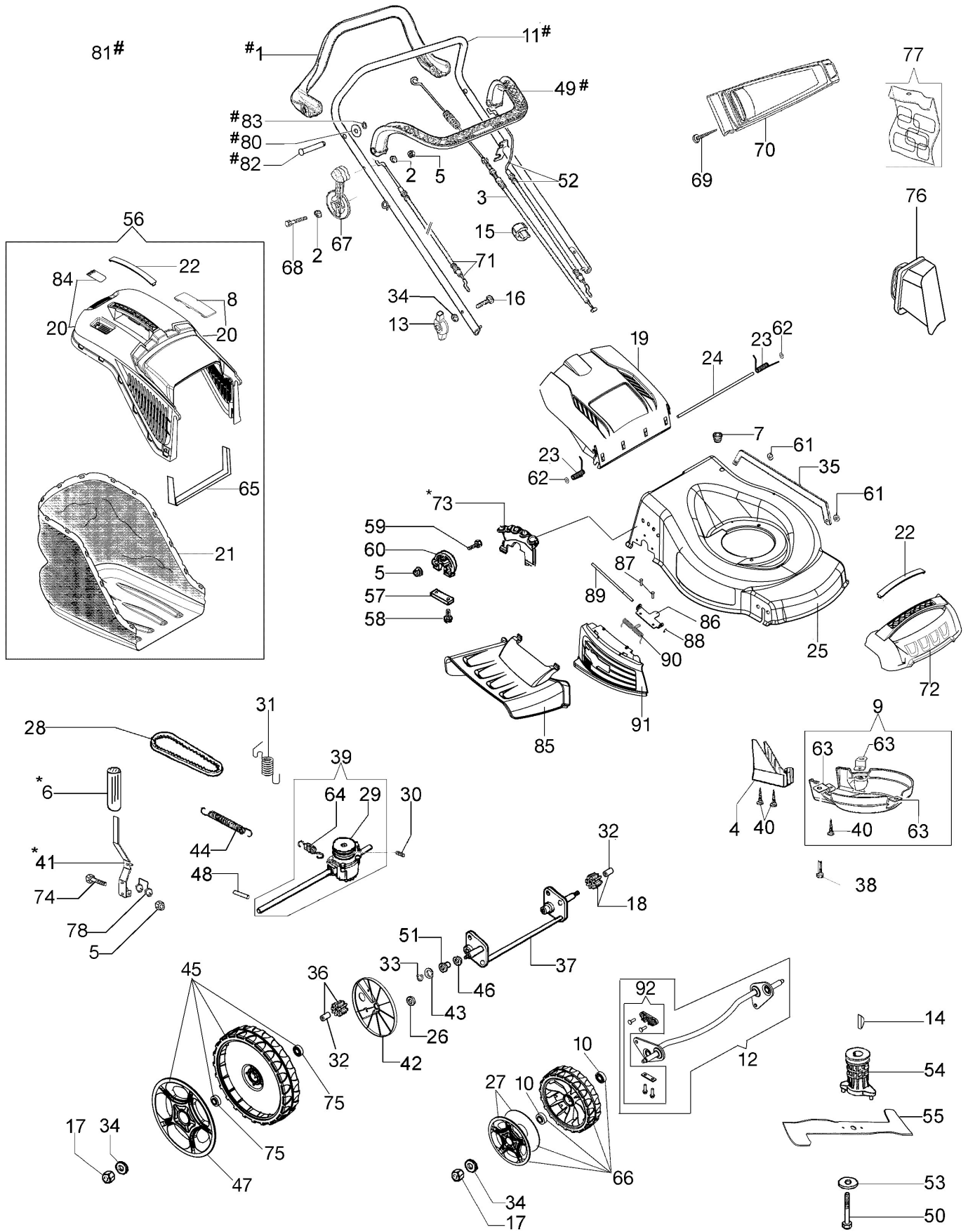


LR 53 TBX ALLROAD PLUS 4 Lawnmower



Документы

[Illustrated parts list](#)



изображение Illustrated parts list

| Ref.Nu | Qty | Part number | Description | Validity from | Validity till | Notes | Bulletin |
|--------|-----|-------------|-------------------|---------------|---------------|-------|----------------|
| 1 | 1 | 66060398BR | Traction lever | | | | |
| 2 | 2 | 3918009R | Washer | | | | |
| 3 | 1 | 66060058CR | Traction cable | | | | |
| 4 | 1 | 66071090 | Guard | SN 6193092975 | | | BT5-072-04/13 |
| 5 | 7 | 3914006R | Nut | | | | |
| 6 | 1 | 66070954R | Handle | | | | |
| 7 | 1 | 66030038 | Grommet | | | | |
| 8 | 2 | 66070466R | Lock | | | | |
| 9 | 1 | 66070233A | Guard kit | | | | |
| 10 | 4 | 3035023R | Bearing | 10/14 | | | |
| 10 | 4 | 66030081R | Bearing | | 09/14 | | |
| 11 | 1 | 66060421BR | Handlebar | | | | |
| 12 | 1 | 66070749 | Axle kit | SN 6195022908 | | | BT5-080-03/15 |
| 13 | 2 | 66070317R | Tightening handle | | | | |
| 14 | 1 | 8202126R | Key | | | | |
| 15 | 2 | 66060231R | Band | | | | |
| 16 | 2 | 3910015R | Screw | | | | |
| 17 | 4 | 3914012R | Nut | | | | |
| 18 | 1 | 66070437R | Left sprocket | SN 6195164910 | | | BT5-082-04/15 |
| 19 | 1 | 66110753R | Shutter | | | | |
| 20 | 1 | 66072047R | Frame | | | | |
| 21 | 1 | 66070455R | Grassbag | | | | |
| 22 | 2 | 66070522R | Cover | | | | |
| 23 | 1 | 66110609A | Kit spring | | | | |
| 24 | 1 | 66110026R | Deflector axle | | | | |
| 25 | 1 | 66070537AR | Deck | | | | |
| 26 | 2 | 3916015R | Washer | | | | |
| 27 | 2 | 66070573R | Wheel cover | | 09/14 | | |
| 27 | 2 | 66070727R | Wheel cover | 10/14 | | | |
| 28 | 1 | 3047027R | Belt | SN 6194200046 | | | BT5-076-05/14, |
| 28 | 1 | 3047025R | Belt | | | | BT5-077-06/14 |
| 29 | 1 | 66071084R | Pulley | | | | |
| 30 | 1 | 3022020R | Plug | | | | |
| 31 | 1 | 66070035BR | Spring | | | | |
| 32 | 2 | 66070435R | Bushing | SN 6195164910 | | | BT5-082-04/15 |
| 33 | 4 | 3024012R | Snap ring | | | | |
| 34 | 7 | 3916008R | Washer | | | | |
| 35 | 1 | 66070229 | Rod | | | | |
| 36 | 1 | 66070436R | Right sprocket | SN 6195164910 | | | BT5-082-04/15 |
| 37 | 1 | 66070287AR | Rear axle | | | | |
| 38 | 3 | 3806076R | Screw | | | | |
| 39 | 1 | 66070017ER | Transmission | | | | |
| 40 | 5 | 011200035R | Screw | | | | |
| 41 | 1 | 66070286CR | Lever | | | | |

изображение Illustrated parts list

| Ref.Nu | Qty | Part number | Description | Validity from | Validity till | Notes | Bulletin |
|--------|-----|-------------|--------------------|---------------|---------------|---|----------|
| 42 | 2 | 66070469R | Wheel cover | | 09/14 | | |
| 42 | 2 | 66070756 | Wheel cover | 10/14 | | | |
| 43 | 1 | 66030044 | Spacer | | | | |
| 44 | 1 | 66070036R | Spring | | | | |
| 45 | 2 | 66060526 | Wheel kit | | 09/14 | | |
| 45 | 2 | 66070729 | Wheel kit | 10/14 | | | |
| 46 | 2 | 8202311R | Ring | | | | |
| 47 | 2 | 66070574R | Wheel cover | | 09/14 | | |
| 47 | 2 | 66070726R | Wheel cover | 10/14 | | | |
| 48 | 1 | 66060010R | Roller | | | | |
| 49 | 1 | 66060316AR | Brake lever | | | | |
| 50 | 1 | 3906150R | Screw | | | | |
| 51 | 2 | 66060030R | Bushing | | | | |
| 52 | 1 | 66030276R | Engine break cable | | | B&S 625; | |
| 52 | 1 | 66060108R | Engine break cable | | | B&S 625E; Lunghezza/Lenght: 1183 mm | |
| 53 | 1 | 66060384R | Washer | | | | |
| 54 | 1 | 66030256R | Hub Ø22,2mm | | | | |
| 55 | 1 | 66070440R | Mulching blade | | | | |
| 56 | 1 | 66070905 | Grassbag kit | | | | |
| 57 | 2 | 66030039 | Plate | | | | |
| 58 | 4 | 3960031R | Screw | | | | |
| 59 | 6 | 3801022R | Screw | | | | |
| 60 | 2 | 66110781R | Support | | | | |
| 61 | 2 | 3045035R | Retainer washer | | | | |
| 62 | 2 | 3045034R | Retainer washer | | | | |
| 63 | 3 | 66070228AR | Support | | | | |
| 64 | 1 | 66070980R | Spring | | | | |
| 65 | 1 | 66070133R | Support | | | | |
| 66 | 2 | 66070730 | Wheel kit | | 09/14 | | |
| 66 | 2 | 66070730 | Wheel kit | 10/14 | | | |
| 67 | 1 | 66070341AR | Throttle lever | | | | |
| 68 | 1 | 3910019 | Screw | | | | |
| 69 | 2 | 3960072 | Screw | | | | |
| 70 | 1 | 66070128R | Dashboard | | | sostituito da particolare | |
| 71 | 1 | 66070136R | Throttle cable | | | B&S 625; | |
| 71 | 1 | 66070171R | Throttle cable | | | Lunghezza/Lenght: 1161,5 mm | |
| 72 | 1 | 66070488R | Guard | | | | |
| 73 | 1 | 66070291R | Sector | | | | |
| 74 | 1 | 3906164R | Screw | | | | |
| 75 | 4 | 3035023R | Bearing | 10/14 | | | |
| 75 | 4 | 66030081R | Bearing | | 09/14 | | |
| 76 | 1 | 66071059R | Mulching cap | | | | |
| 77 | 1 | 66070629A | Labels kit | | | | |
| 78 | 1 | 8203374R | Spring | | | | |

изображение Illustrated parts list

| Ref.Nu | Qty | Part number | Description | Validity from | Validity till | Notes | Bulletin |
|--------|-----|-------------|-----------------|---------------|---------------|-------|---------------|
| 79 | 1 | 66070439A | Lever group | | | | |
| 80 | 2 | 3064037R | Washer | | | | |
| 81 | 1 | 66060425R | Handle kit | | | | |
| 82 | 2 | 66060381BR | Pin | | | | |
| 83 | 2 | 3024006R | Snap ring | | | | |
| 84 | 1 | 66070521R | Shutter | | | | |
| 85 | 1 | 66070479R | Deflector | | | | |
| 86 | 1 | 66070804R | Support | | | | |
| 87 | 2 | 3032018R | Rivet | | | | |
| 88 | 1 | 3045034R | Retainer washer | | | | |
| 89 | 1 | 66071060R | Pin | | | | |
| 90 | 1 | 66070493R | Spring | | | | |
| 91 | 1 | 66070478AR | Shutter | | | | |
| 92 | 1 | 66070744 | Support set | SN 6195022908 | | | BT5-080-03/15 |